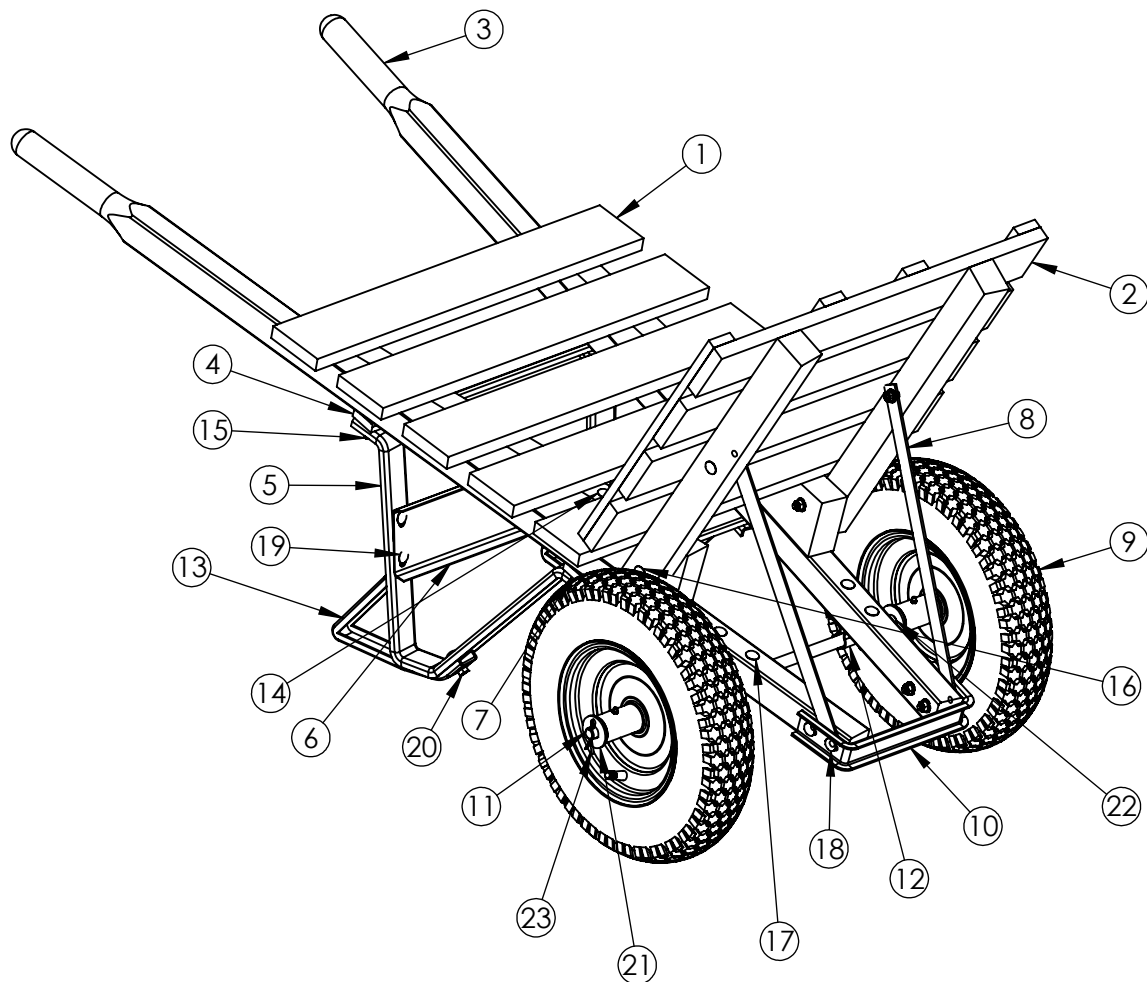


# 11-660/# 28-711/# 28-713  
 # 28-913/# 28-915/# 28-917

# Double Wheel Brick & Tile Wheelbarrow



## Parts List

Key #	Part #	Detail	Qty/Unit	Key #	Part #	Detail	Qty/Unit
1	11-305-03	Bed	1	13	50-328	Leg Stabilizer	2
2	11-305-02	Dash	1	14	52-436	Carriage Bolt 5/16" x 6"	2
3	50-244	Wood Handles (pair)	2	15	52-435	Carriage Bolt 5/16" x 5"	2
3	50-532	Steel Handles (pair)	2	16	52-434	Carriage Bolt 5/16" x 3-3/4"	2
4	50-319	Rear Bed Brace	1	17	52-433	Carriage Bolt 5/16" x 2-1/2"	4
5	50-320	Legs	2	18	52-401	Carriage Bolt 5/16" x 2-1/4"	6
6	50-321	Leg Brace	1	19	52-438	Carriage Bolt 5/16" x 1"	6
7	50-324	Front Bed Brace	1	20	52-232	Serrated Nut 5/16"	22
8	50-331	Front Dash Support	2	21	52-108	Washer 5/8" x 1-3/4"	4
9	50-174	Rim and Tire (Knobby)	1	22	50-333	Spacer	2
9	84-714	Rim and Tire (Flat Free)	1	23	52-670	Cotter Pin	2
9	80-105	Rim and Tire (Ribbed)	1	N/A	80-102	Innertube	1
10	50-326	Nose Piece	1	N/A	80-101	Bearings (set of 2)	1
11	50-248	28" Axle	1	N/A	50-330	Bag of Hardware B/T	1
12	50-332	Axle Bracket (Dbl Whl Only)	2				

**Bon**<sup>®</sup>  
 Trusted since 1958

Order by Part # • Toll Free Order Hotline 800-444-7060

4430 Gibsonia Rd. • Gibsonia, PA 15044 • USA • [www.bontool.com](http://www.bontool.com)