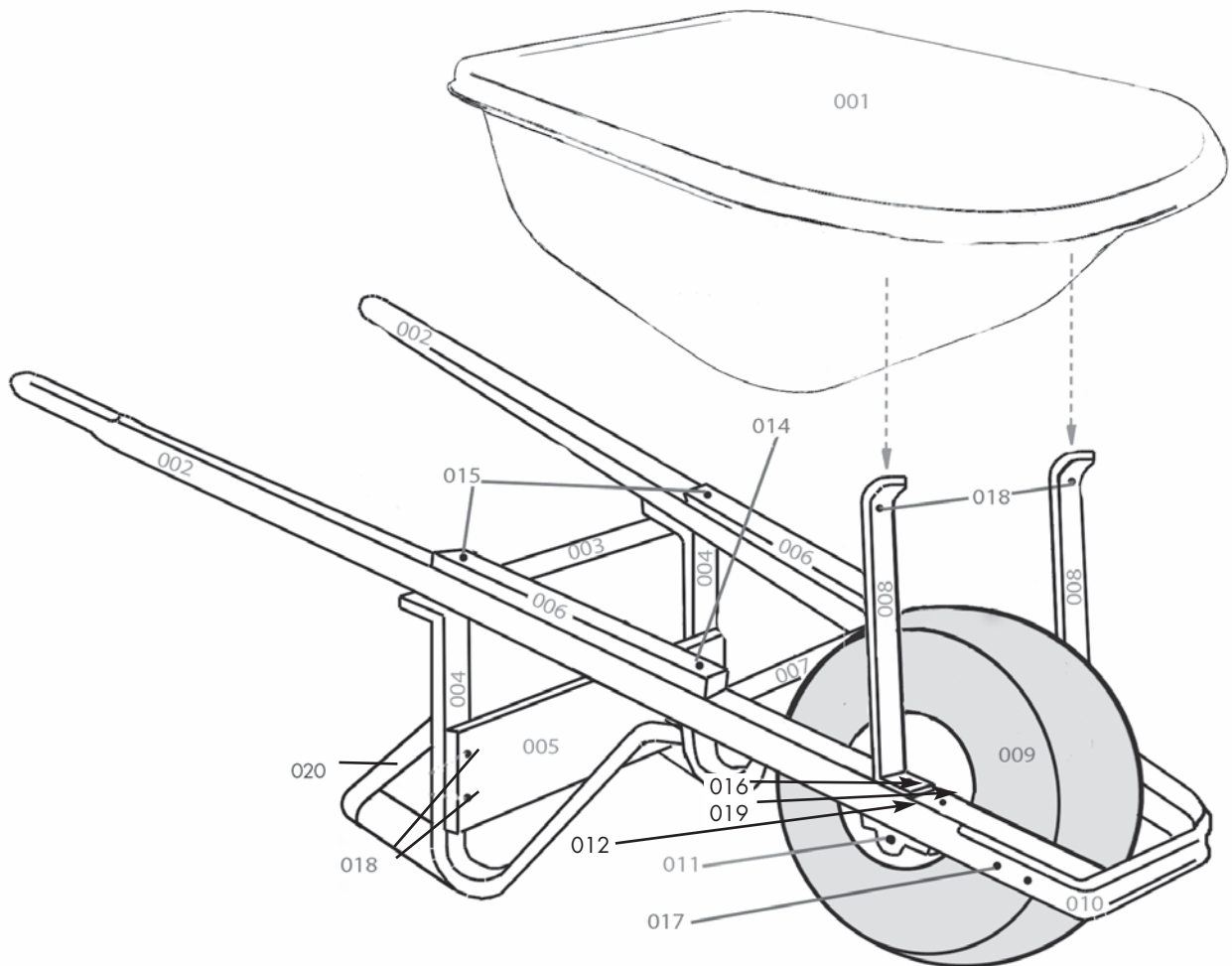


28-963 / # 28-964 / # 28-965
 # 28-960 / # 28-961 / # 28-962

Landscape Wheelbarrows

Single Wheel - 8 Cu. Ft.



Parts List

Ref #	Key #	Part #	Detail	Qty/Unit	Ref #	Key #	Part #	Detail	Qty/Unit
28-963	001	50-197	Poly Tray	1	28-963	011	50-245	Axle 9"	1
28-963	002	50-532	Steel Handles (pr)	1	28-963	012	50-327	Axle Bracket	2
28-963	002	50-244	Wood Handles (pr)	1	28-963	014	52-435	Carriage Bolt 5/16" x 5"	2
28-963	003	50-319	Rear Support	1	28-963	015	52-434	Carriage Bolt 5/16" x 3 3/4"	2
28-963	004	50-320	Leg	2	28-963	016	52-433	Carriage Bolt 5/16" x 2 1/2"	4
28-963	005	50-321	Leg Brace	1	28-963	017	52-401	Carriage Bolt 5/16" x 2 1/4"	4
28-963	006	50-323	Wedge	2	28-963	018	52-438	Carriage Bolt 5/16" x 1"	8
28-963	007	50-324	Front Support	1	28-963	019	52-201	Nut 5/16"	20
28-963	008	50-344	Vertical Tray Brace	2	28-963	n/a	52-127	Lock Washer	20
28-963	009	50-174	Rim and Tire (Knobby)	1	28-963	020	50-328	Leg Stabilizer	2
28-963	009	84-714	Rim and Tire (Flat Free)	1	28-963	n/a	80-102	Innertube	1
28-963	009	80-105	Rim and Tire (Ribbed)	1	28-963	n/a	80-101	Bearings (set of 2)	1
28-963	010	50-326	Nose Piece	1	28-963	n/a	50-329	Bag of Hardware -Tray	1

Order by Part #
Call Toll-Free 800-444-7060

Bon[®]
 Trusted since 1958

4430 Gibsonia Rd. • Gibsonia, PA 15044 • USA • www.bontool.com

PL28963 07/15