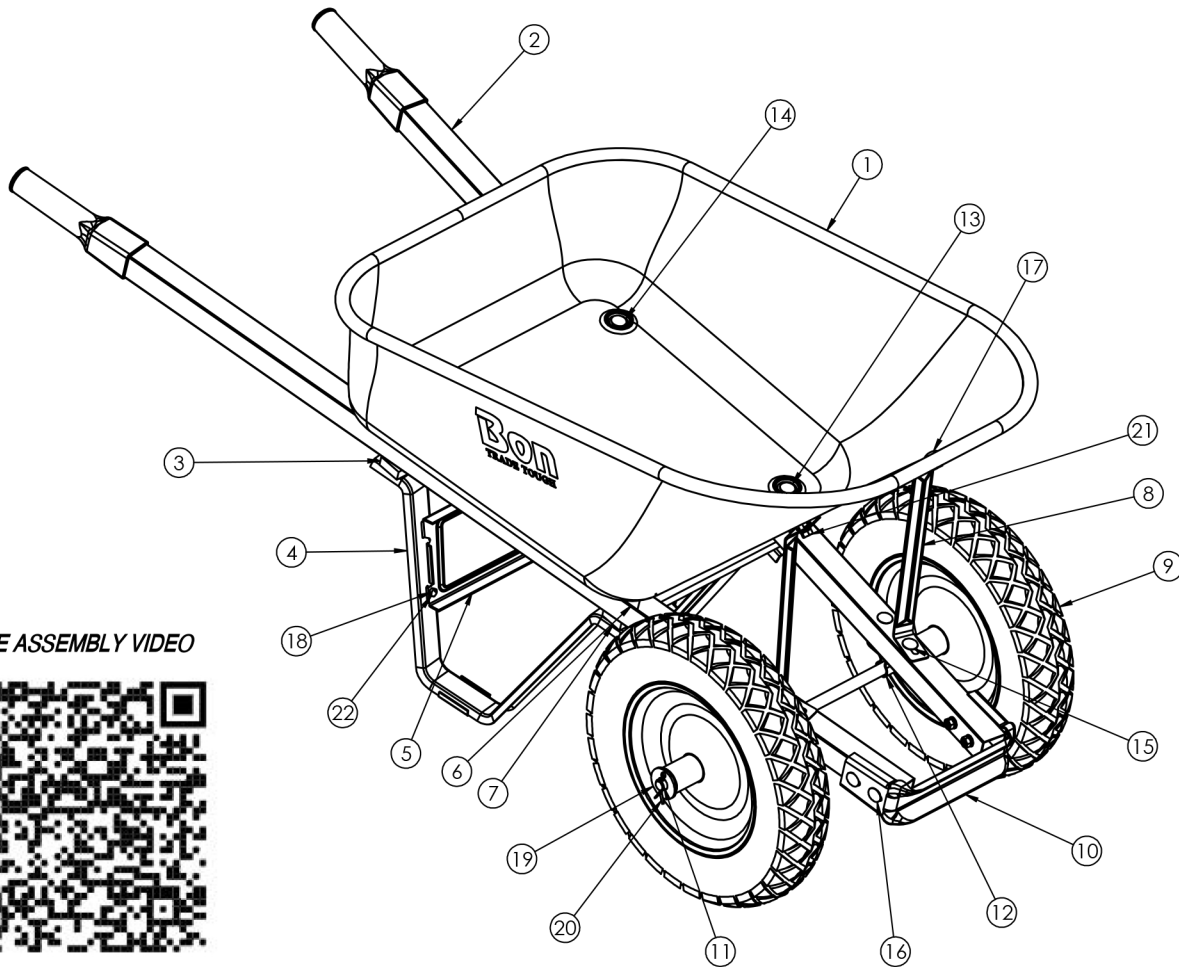


# #34-350 / #34-351

# Double Wheel Trade Tough Wheelbarrow



SEE ASSEMBLY VIDEO



## Parts List

Part #	Key #	Detail	Qty/Unit	Part #	Key #	Detail	Qty/Unit
84-992	1	Tray	1	52-826	13	Carriage Bolt M8-1.25 x 108 mm LG	2
84-993	2	Steel Handles (pair)	1	52-827	14	Carriage Bolt M8-1.25 x 88 mm LG	2
50-552	3	Rear Support	1	52-828	15	Carriage Bolt M8-1.25 x 58 mm LG	4
50-553	4	Leg	2	52-829	16	Carriage Bolt M8-1.25 x 53 mm LG	4
50-554	5	Leg Brace	1	52-830	17	Carriage Bolt M8-1.25 x 15 mm LG	2
50-555	6	Wedge	2	52-831	18	Hex Head Bolt M6-1.0 x 12 mm LG	2
50-556	7	Front Support	1	52-108	19	Washer 5/8" x 1-3.4"	2
50-557	8	Vertical Tray Brace	2	52-670	20	Cotter Pin	2
84-714	9	Rim and Tire (Flat Free)	2	52-209	21	Hex Nut M8-1.25	14
50-174	9	Rim and Tire (Knobby)	2	52-833	22	Lock Nut M6	2
50-558	10	Nose Piece	1	52-834	n/a	Washer	16
50-247	11	24" Axle	1	52-835	n/a	Lock Washer	16
50-332	12	Axle Bracket (Double Wheel)	2	50-561	n/a	Hardware Package	1

**Order by Part # • Call Toll-Free 800-444-7060**

**Bon**<sup>®</sup>  
Trusted since 1958

4430 Gibsonia Rd. • Gibsonia, PA 15044 • USA • [www.bontool.com](http://www.bontool.com)

PL 34350 10/23